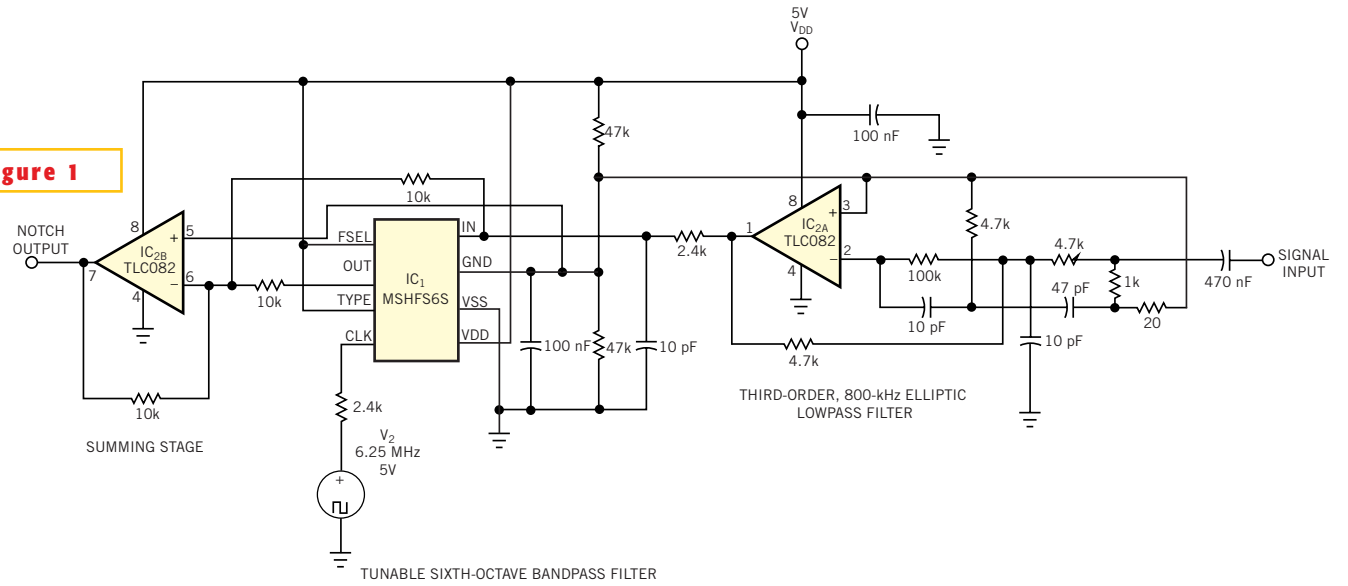


**Figure 1**



**An op amp and a switched-capacitor filter combine to form a highly selective notch filter.**